

TS-3GA-36.442(Rel10)v10.2.0
Evolved Universal Terrestrial Radio
Access Network (E-UTRAN);
Signalling Transport for interfaces
supporting Multimedia Broadcast
Multicast Service (MBMS) within
E-UTRAN

2011年12月21日制定

一般社団法人
情報通信技術委員会

THE TELECOMMUNICATION TECHNOLOGY COMMITTEE

本書は、一般社団法人情報通信技術委員会が著作権を保有しています。
内容の一部又は全部を一般社団法人情報通信技術委員会の許諾を得ることなく複製、
転載、改変、転用及びネットワーク上での送信、配布を行うことを禁止します。

Evolved Universal Terrestrial Radio Access Network (E-UTRAN); Signalling Transport for interfaces supporting Multimedia Broadcast Multicast Service (MBMS) within E-UTRAN

<参考> [Remarks]

1. 英文記述の適用レベル [Application level of English description]

適用レベル [Application level] : E2

本標準の本文、付属資料および付録の文章および図に英文記述を含んでいる。

[English description is included in the text and figures of main body, annexes and appendices.]

2. 国際勧告等の関連 [Relationship with international recommendations and standards]

本標準は、3GPP で承認された Technical Specification 36.442 (Version 10.2.0) に準拠している。

[This standard is standardized based on the Technical Specification 36.442 (Version 10.2.0) approved by 3GPP.]

3. 上記国際勧告等に対する追加項目等 [Departures from international recommendations]

原標準に対する変更項目 [Changes to original standard]

原標準が参照する標準のうち、TTC 標準に置き換える項目。 [Standards referred to in the original standard, which are replaced by TTC standards.]

原標準が参照する標準のうち、それらに準拠した TTC 標準等が制定されている場合は自動的に最新版 TTC 標準等に置き換え参照するものとする。 [Standards referred to in the original standard should be replaced by derived TTC standards.]

4. 工業所有権 [IPR]

本標準に関わる「工業所有権等の実施の権利に係る確認書」の提出状況は、TTC ホームページによる。

[Status of “Confirmation of IPR Licensing Condition” submitted is provided in the TTC web site.]

5. 作成専門委員会 [Working Group]

3GPP 専門委員会 [3GPP Working Group]

3GPP TS 36.442 V10.2.0 (2011-09)

Technical Specification

**3rd Generation Partnership Project;
Technical Specification Group Radio Access Network;
Evolved Universal Terrestrial Radio Access Network (E-
UTRAN);
Signalling Transport for interfaces supporting Multimedia
Broadcast Multicast Service (MBMS) within E-UTRAN
(Release 10)**



Keywords

LTE, MBMS, radio

3GPP

Postal address

3GPP support office address

650 Route des Lucioles - Sophia Antipolis
Valbonne - FRANCE
Tel.: +33 4 92 94 42 00 Fax: +33 4 93 65 47 16

Internet

<http://www.3gpp.org>

Copyright Notification

No part may be reproduced except as authorized by written permission.
The copyright and the foregoing restriction extend to reproduction in all media.

© 2011, 3GPP Organizational Partners (ARIB, ATIS, CCSA, ETSI, TTA, TTC).
All rights reserved.

UMTS™ is a Trade Mark of ETSI registered for the benefit of its members
3GPP™ is a Trade Mark of ETSI registered for the benefit of its Members and of the 3GPP Organizational Partners
LTE™ is a Trade Mark of ETSI currently being registered for the benefit of its Members and of the 3GPP Organizational Partners
GSM® and the GSM logo are registered and owned by the GSM Association

Contents

Foreword	4
1 Scope	5
2 References	5
3 Definitions and abbreviations	5
3.1 Definitions	5
3.2 Abbreviations	5
4 M2 Interface	6
4.1 M2 signalling bearer	6
4.1.1 Functions and protocol stack	6
4.2 Data link layer	6
4.3 IP layer	6
4.4 Transport layer	6
5 M3 Interface	7
5.1 M3 signalling bearer	7
5.1.1 Functions and protocol stack	7
5.2 Data link layer	7
5.3 IP layer	7
5.4 Transport layer	8
Annex A (informative): Change history	9

Foreword

This Technical Specification has been produced by the 3rd Generation Partnership Project (3GPP).

The contents of the present document are subject to continuing work within the TSG and may change following formal TSG approval. Should the TSG modify the contents of the present document, it will be re-released by the TSG with an identifying change of release date and an increase in version number as follows:

Version x.y.z

where:

- x the first digit:
 - 1 presented to TSG for information;
 - 2 presented to TSG for approval;
 - 3 or greater indicates TSG approved document under change control.
- y the second digit is incremented for all changes of substance, i.e. technical enhancements, corrections, updates, etc.
- z the third digit is incremented when editorial only changes have been incorporated in the document.

1 Scope

The present document specifies the standards for signalling transport to be used across M2 and M3 interfaces. M2 interface is a logical interface between the eNB and the MCE. M3 interface is a logical interface between the MCE and the MME. The present document describes how the M2-AP signalling messages are transported over M2, and how the M3-AP signalling messages are transported over M3.

2 References

The following documents contain provisions which, through reference in this text, constitute provisions of the present document.

- References are either specific (identified by date of publication, edition number, version number, etc.) or non-specific.
- For a specific reference, subsequent revisions do not apply.
- For a non-specific reference, the latest version applies. In the case of a reference to a 3GPP document (including a GSM document), a non-specific reference implicitly refers to the latest version of that document *in the same Release as the present document*.

- [1] 3GPP TR 21.905: "Vocabulary for 3GPP Specifications".
- [2] IETF RFC 2460 (1998-12): "Internet Protocol, Version 6 (IPv6) Specification".
- [3] IETF RFC 791 (1981-09): "Internet Protocol".
- [4] IETF RFC 2474 (1998-12): "Definition of the Differentiated Services Field (DS Field) in the IPv4 and IPv6 Headers".
- [5] IETF RFC 4960 (2007-09): "Stream Control Transmission Protocol".

3 Definitions and abbreviations

3.1 Definitions

For the purposes of the present document, the terms and definitions given in TR 21.905 [1] and the following apply. A term defined in the present document takes precedence over the definition of the same term, if any, in TR 21.905 [1].

M2: E-UTRAN internal control plane interface between an eNB and an MCE, It is also considered as a reference point.

M3: Control plane interface between an E-UTRAN (MCE) and MME. It is also considered as a reference point.

3.2 Abbreviations

For the purposes of the present document, the abbreviations given in TR 21.905 [1] and the following apply. An abbreviation defined in the present document takes precedence over the definition of the same abbreviation, if any, in TR 21.905 [1].

eNB	E-UTRAN Node B
DiffServ	Differentiated Service
IP	Internet Protocol
MME	Mobility Management Entity
PPP	Point to Point Protocol
SCTP	Stream Control Transmission Protocol

4 M2 Interface

4.1 M2 signalling bearer

4.1.1 Functions and protocol stack

M2 signalling bearer provides the following functions:

- Provision of reliable transfer of M2-AP message over M2 interface
- Provision of networking and routing function
- Provision of redundancy in the signalling network

The protocol stack for M2 signalling bearer is shown in figure 4.1.1 and details on each protocol are described in the following clauses.

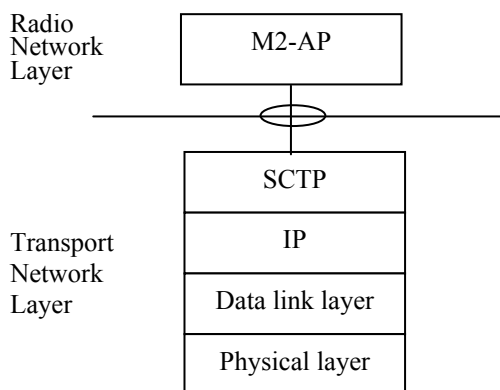


Figure 4.1.1: M2 signalling bearer protocol stack

The transport network layer is based on IP transport, comprising SCTP on top of IP.

4.2 Data link layer

The support of any suitable data link layer protocol, e.g. PPP, Ethernet, etc., shall not be prevented.

4.3 IP layer

The eNB and MCE shall support IPv6 (IETF RFC 2460 [2]) and/or IPv4 (IETF RFC 791 [3]).

The IP layer of M2 only supports point-to-point transmission for delivering M2-AP messages.

The eNB and MCE shall support the Diffserv Code Point marking as described in IETF RFC 2474 [4].

4.4 Transport layer

SCTP (IETF RFC 4960 [5]) shall be supported as the transport layer of M2 signalling bearer. The Payload Protocol Identifier assigned by IANA to be used by SCTP for the application layer protocol M2-AP is 43.

SCTP refers to the Stream Control Transmission Protocol developed by the Sigtran working group of the IETF for the purpose of transporting various signalling protocols over IP network.

There shall be only one SCTP association established between one MCE and eNB pair.

The eNB shall establish the SCTP association. The SCTP Destination Port number value assigned by IANA to be used for M2-AP is 36443.

Within the SCTP association established between one MCE and eNB pair:

- a single pair of stream identifiers shall be reserved for the use of M2-AP elementary procedures.

Transport network redundancy may be achieved by SCTP multi-homing between two end-points, of which one or both is assigned with multiple IP addresses. SCTP end-points shall support a multi-homed remote SCTP end-point. For SCTP endpoint redundancy an INIT may be sent from MCE or eNB, at any time for an already established SCTP association, which shall be handled as defined in IETF RFC 4960 [5] in § 5.2.

5 M3 Interface

5.1 M3 signalling bearer

5.1.1 Functions and protocol stack

M3 signalling bearer provides the following functions:

- Provision of reliable transfer of M3-AP message over M3 interface
- Provision of networking and routing function
- Provision of redundancy in the signalling network

The protocol stack for M3 signalling bearer is shown in figure 5.1.1 and details on each protocol are described in the following clauses.

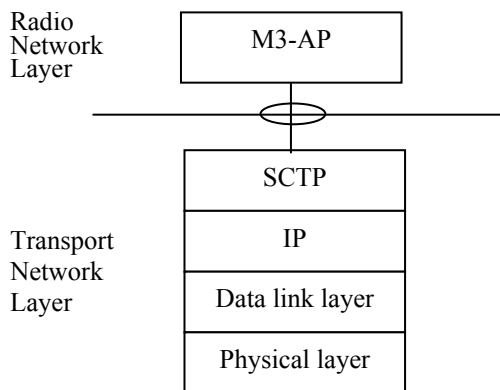


Figure 5.1.1: M3 signalling bearer protocol stack

The transport network layer is based on IP transport, comprising SCTP on top of IP.

5.2 Data link layer

The support of any suitable data link layer protocol, e.g. PPP, Ethernet, etc., shall not be prevented.

5.3 IP layer

The E-UTRAN and MME shall support IPv6 (IETF RFC 2460 [2]) and/or IPv4 (IETF RFC 791 [3]).

The IP layer of M3 only supports point-to-point transmission for delivering M3-AP messages.

The MCE and MME shall support the Diffserv Code Point marking as described in IETF RFC 2474 [4].

5.4 Transport layer

SCTP (IETF RFC 4960 [5]) shall be supported as the transport layer of M3 signalling bearer. The Payload Protocol Identifier assigned by IANA to be used by SCTP for the application layer protocol M3-AP is 44.

SCTP refers to the Stream Control Transmission Protocol developed by the Sigtran working group of the IETF for the purpose of transporting various signalling protocols over IP network.

There shall be only one SCTP association established between one MCE and MME pair.

The MCE shall establish the SCTP association. The SCTP Destination Port number value assigned by IANA to be used for M3-AP is 36444.

Within the SCTP association established between one MCE and MME pair:

- a single pair of stream identifiers shall be reserved for the use of M3-AP elementary procedures.

Transport network redundancy may be achieved by SCTP multi-homing between two end-points, of which one or both is assigned with multiple IP addresses. SCTP end-points shall support a multi-homed remote SCTP end-point. For SCTP endpoint redundancy an INIT may be sent from MME or MCE, at any time for an already established SCTP association, which shall be handled as defined in IETF RFC 4960 [5] in § 5.2.

Annex A (informative): Change history

TSG #	TSG Doc.	CR	Rev	Subject/Comment	New
2009-10				Update to take into account comments raised at RAN3 #65bis	0.0.2
2009-12				Stepping the version to 2.0.0 for approval at RAN#46	2.0.0
46	RP-091210			Approved at RAN#46	9.0.0
47	RP-100226	0001	2	Editorial corrections	9.1.0
2010-12				Created Rel-10 version based on v. 9.1.0	10.0.0
SP-49	SP-100629			Clarification on the use of References (TS 21.801 CR#0030)	10.0.1
52	RP-110685	0002		Reference review outcome in TS 36.442	10.1.0
53	RP-111195	0003		Introduction of SCTP PPI and Destination Port number for MBMS	10.2.0